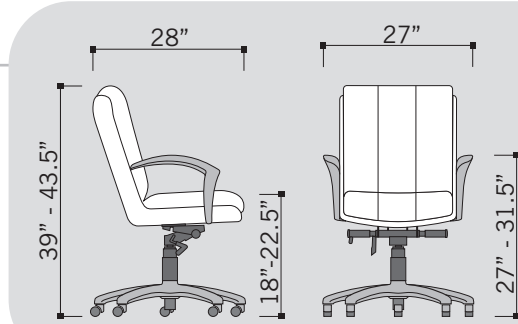




2101 KT L



2101 KT L



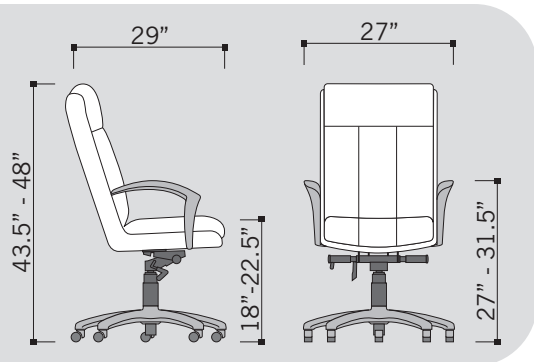
- | | |
|---------------------------------------|---|
| KT knee tilt control mechanism | SW soft wheels for hard surfaces |
| 35 350 base | G glide wheels |
| L fixed L-armrest | C2 2" carpet casters |
| LU leather upholstery | C2.5 2.5" carpet casters |
| | CA antistatic casters for clean applications |

2100 KT L and 2101 KT L

- Body** back piece and seat have black genuine leather seating.
- Mechanism** knee tilt mechanism. 19 degree rearward pivot control.
- Finish** flat black powder coating.
- Ergo arms** durable fixed polypropylene armrests.
- Base & casters** 5-legged, reinforced moulded fibreglass base with casters.
- ANSI/BIFMA standards** meets ANSI/BIFMA Standards
- GSA standards** meets GSA Standards



2100 KT L



2100 KT L



www.standardsystems.com
info@standardsystems.com

Standard System Limited Warranty

We guarantee all non-moving metal components to be free of material defects and workmanship for a period of ten years from the original purchase date. We will replace any unaltered non-moving metal components which, based upon our examination, proves to be defective. For pneumatic cylinders, wooden and plastic components, casters and upholstery materials, the said warranty shall be for five years. Swivel/tilt mechanisms and bases shall also be for ten years. This warranty does not cover labour or delivery charges and does not apply to items subjected to abuse, misuse, neglect, alteration, or damage caused by shipment, storage, accident, fire, flood or earthquake.

Unit 5, 30 Braid Street
 New Westminster, B.C.
 Canada V3L 3P3

Tel: 604-777-0407
 Fax: 604-777-0447